

IMPORTANT SAFETY INSTRUCTIONS

INSTRUCTIONS PERTAINING TO THE RISK OF INJURY TO PERSONS:

WARNING: TO REDUCE THE RISK OF FIRE, ELECTRIC SHOCK OR INJURY TO PERSONS:

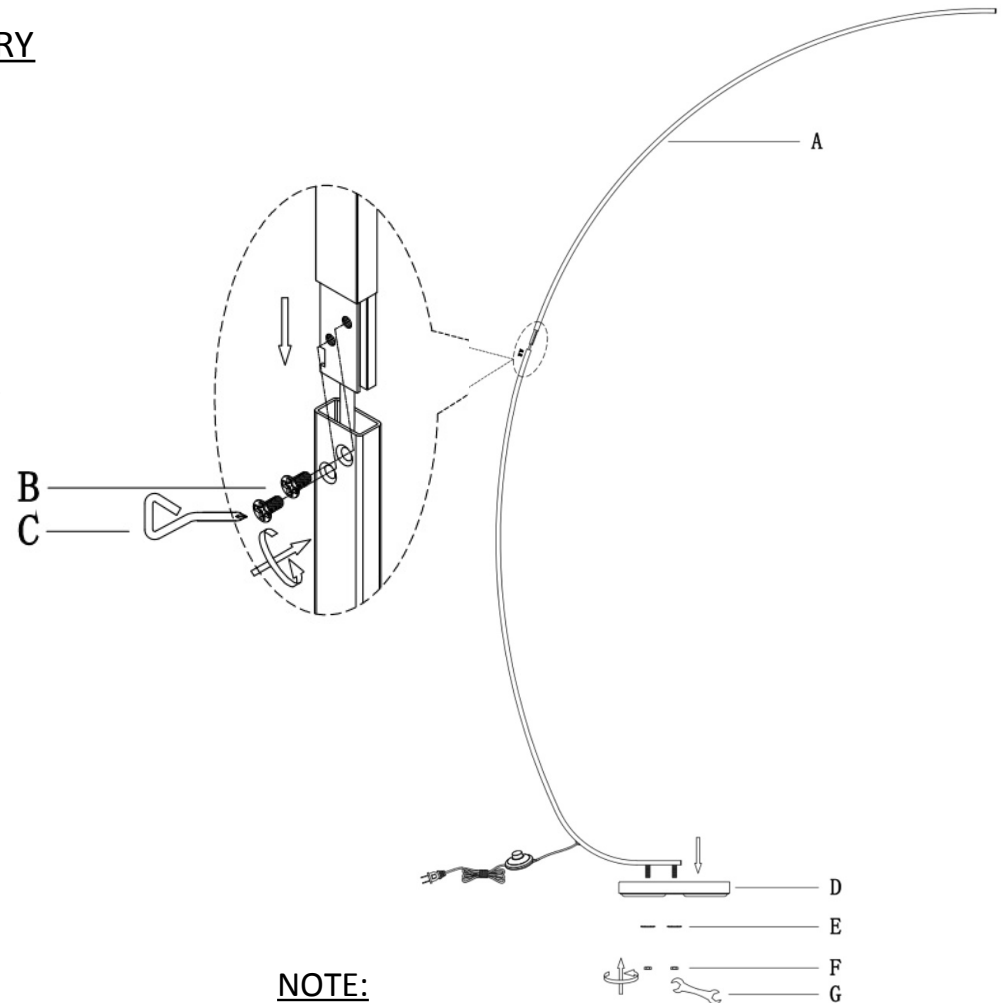
1. Turn off/unplug and allow to cool before cleaning or other maintenance.
2. Do not look directly at lighted bulb.
3. Keep lamp away from materials that may burn.
4. Do not remain in light if skin feels warm.
5. According to warranty rules and regulations: If the external flexible cable /cord or adapter of this luminaire is damaged, do not try to fix it. It shall be exclusively replaced by the manufacturer or his service agent or a similar qualified person in

ASSEMBLY INSTRUCTIONS:

1. Lay out all parts on a smooth surface as shown in the illustration.
2. Insert the arm (A) into the lower arm.
3. Screw together using the 2pcs screws (B) and the screwdriver (C) both included.
4. Insert the arm into the base (D).
5. Put the washers (E) onto the screws. Insert the nut (F) on the screw and tighten securely using the included wrench (G).
6. Insert the male plug of adapter into the female jack on the cord of the lamp.
7. Plug adapter into your desired outlet.
8. Push the foot on/off to enjoy.

MAINTENANCE:

1. To clean, use a soft cloth.
2. Do not use any chemical or abrasive cleaners.



NOTE:

This lamp uses specially formulated LEDs that simulate the characteristics of the sun. The light will appear brighter and whiter compared to a normal incandescent bulb and will provide many of the benefits of natural sunlight. In addition, these LEDs are energy efficient and eco-friendly. They are not replaceable.

Manufacturer Info: info@daylight24.com/978-494-6324